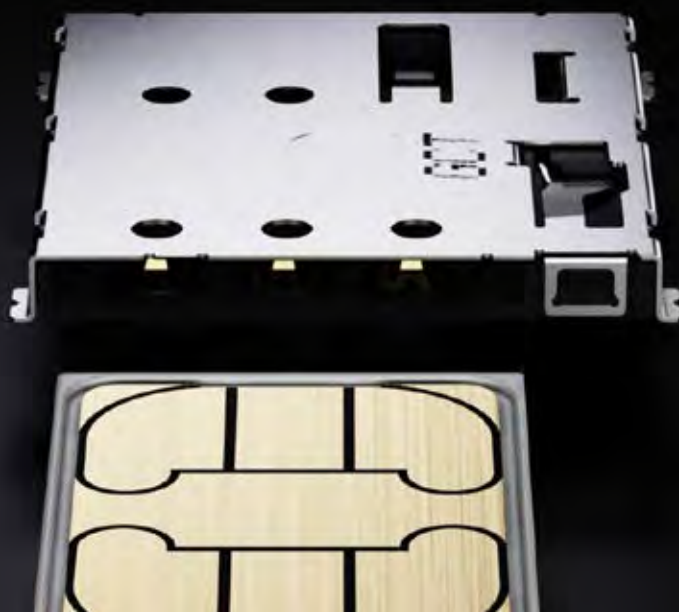


# New Products



# Contents

## ***USB-C Connectors and USB A Connectors***

- 1 **USB4125** - USB Type-C 6 pin socket, power only, right-angle
- 2 **USB4135** - USB Type-C 6 pin socket, power only, right-angle, fully SMT
- 3 **USB4140** - USB Type-C 6 pin socket, power only, vertical
- 4 **USB4130** - USB Type-C 6 pin socket, power only, vertical
- 5 **USB4515** - USB Type-C 6 pin socket, power only, mid-mount
- 6 **USB Type-C 6 pin selection guide**
- 7 **USB4085** - USB Type-C 16 pin socket, USB2.0 spec, right angle, fully TH
- 8 **USB4110** - USB Type-C 16 pin socket, USB2.0 spec, right angle, fully SMT
- 9 **USB4105** - USB Type-C 16 pin socket, USB2.0 spec, right angle
- 10 **USB4120** - USB Type-C 16 pin socket, USB2.0 spec, vertical
- 11 **USB45xx** - USB Type-C 16 pin socket, mid-mount series, USB2.0 spec
- 12 **USB Type-C 16 pin selection guide**
- 13 **USB4056** - USB Type-C 24 pin socket, 3.2 Gen2, right angle
- 14 **USB4080** - USB Type-C 24 pin socket, 3.2 Gen2, right angle
- 15 **USB4155** - USB Type-C 24 pin plug, 3.2 Gen2, PCB edge mount right angle, fully SMT
- 16 **USB Type-C 24 pin selection guide**
- 17 **USB1130** - USB Type-A 2.0, 10,000 mating cycles, horizontal
- 18 **USB1086** - USB Type-A 3.0, 20,000 mating cycles, vertical
- 19 **USB1135** - USB Type-A 3.0, 20,000 mating cycles, horizontal

## ***IP67-Rated Waterproof USB Connectors***

- 20 **USB3500** - USB Micro B mid-mount
- 21 **USB3505** - USB Micro B top-mount

## ***SIM and MicroSD Card Connectors***

- 22 **SIM7155** - Cost effective Micro SIM alternative
- 23 **SIM8066** - Low profile Nano SIM card connector
- 24 **SIM selection guide**
- 25 **MEM2075** - Low profile MicroSD card connector

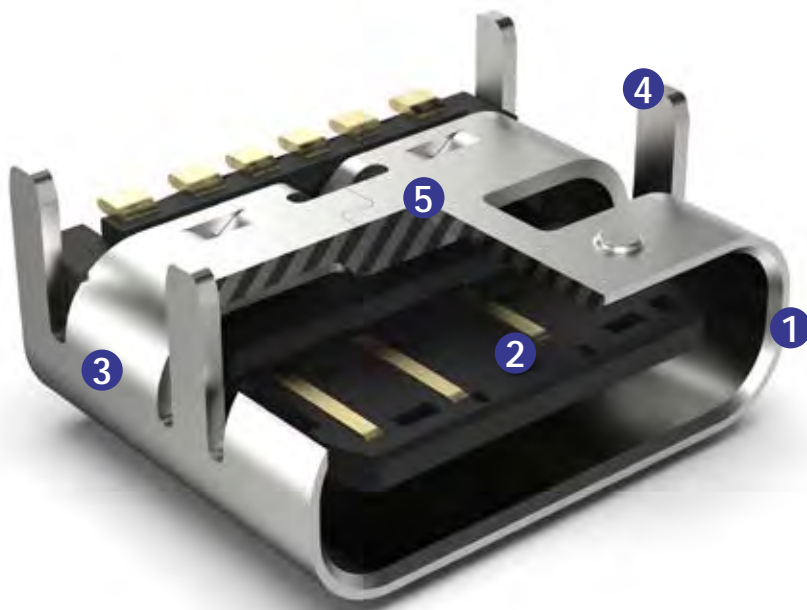
## ***FFC Connectors***

- 26 **FFC2B35** - 0.5mm front flip lock horizontal FFC connector
- 27 **FFC3A20** - 1.00mm vertical FFC connector

# 6 Pin USB Type-C

## Power-only USB4125

- Cost-effective 6-pin design
- True power only USB-C configuration
- Double the standard mating cycles for USB-C



## Vital Stats

Interface	Current Rating
USB C	3 Amps
No. of Contacts	Mating Cycles
6	20,000
USB Specification	Profile Above PCB
Power Only	3.16mm

- Horizontally mounted socket
- USB C interface with 6 contacts
- Low profile above PCB
- 4 through-hole shell stakes
- Compact PCB Footprint

## Applications

Electronic Signage  
Dental Equipment  
Satellite Navigation  
Breathalyzers  
Audio Equipment

**GCT**

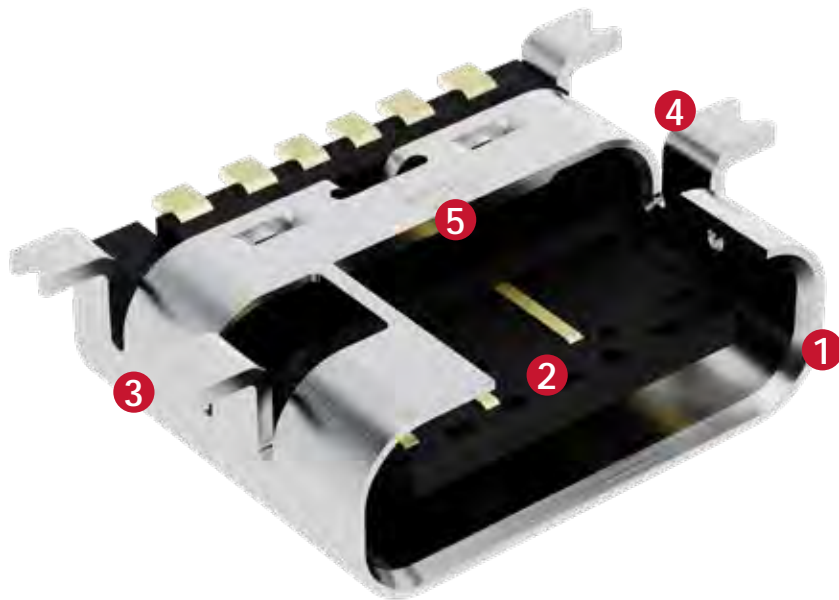


[gct.co/connector/usb4125](http://gct.co/connector/usb4125)

# 6 Pin USB Type-C

*Power-only USB4135*

- Ⓞ *Uniquely Fully Surface Mount*
- Ⓞ *Cost-effective 6-pin design*
- Ⓞ *True power only USB-C configuration*
- Ⓞ *Double the standard mating cycles for USB-C*



## Vital Stats

Interface

**USB C**

Current Rating

**3 Amps**

No. of Contacts

**6**

Mating Cycles

**20,000**

USB Specification

**Power Only**

Profile Above PCB

**3.22mm**

- 1 Horizontally mounted socket
- 2 USB C interface with 6 contacts
- 3 **Low profile above PCB**
- 4 4x SMT shell stakes
- 5 Compact PCB Footprint

## Applications

Electronic Signage  
Dental Equipment  
Satellite Navigation  
Breathalyzers  
Audio Equipment



**GCT**

[gct.co/connector/usb4135](http://gct.co/connector/usb4135)

# 6 Pin USB Type-C

*Power-only USB4140*

- Ⓞ *Stable base with locating pegs*
- Ⓞ *Three shell stake options for different PCB thicknesses*
- Ⓞ *Perfect for charge-only applications*



## Vital Stats

Interface

**USB C**

Current Rating

**3 Amps**

No. of Contacts

**6**

Mating Cycles

**10,000**

USB Specification

**Power Only**

Profile Above PCB

**6.50mm**

- 1 Vertically mounted socket
- 2 USB C interface with 6 contacts
- 3 6.50mm profile
- 4 Stable base with location pegs
- 5 0.7, 1.7 & 2.3mm shell stake options

## Applications

Docking Stations  
EPOS Terminals  
Dental Equipment  
Portable Electronics  
Audio Equipment



**GCT**

[gct.co/connector/usb4140](http://gct.co/connector/usb4140)

# 6 Pin USB Type-C

Power-only USB4130

- ⚡ Cost-effective 6-pin design
- ⚡ First-to-market vertical product
- ⚡ Perfect for charge-only docking applications



## Vital Stats

Interface

USB C

Current Rating

3 Amps

No. of Contacts

6

Mating Cycles

10,000

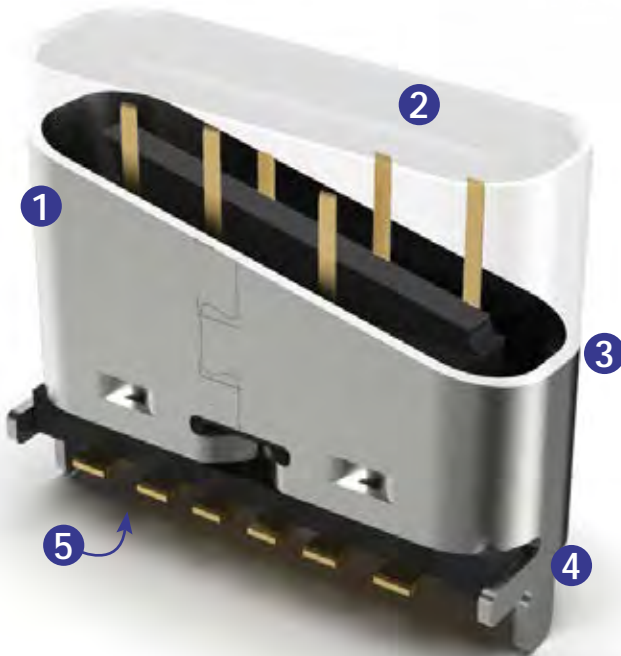
USB Specification

Power Only

Profile Above PCB

6.50mm

- 1 Vertically mounted socket
- 2 USB C interface with 6 contacts
- 3 Low profile above PCB
- 4 2 shell stakes & 2 shell feet
- 5 Compact PCB footprint



## Applications

Docking Stations  
EPOS Terminals  
Dental Equipment  
Portable Electronics  
Audio Equipment



**GCT**

[gct.co/connector/usb4130](https://gct.co/connector/usb4130)

# Power only 6 Pin USB Type-C

## Mid-mount USB4515

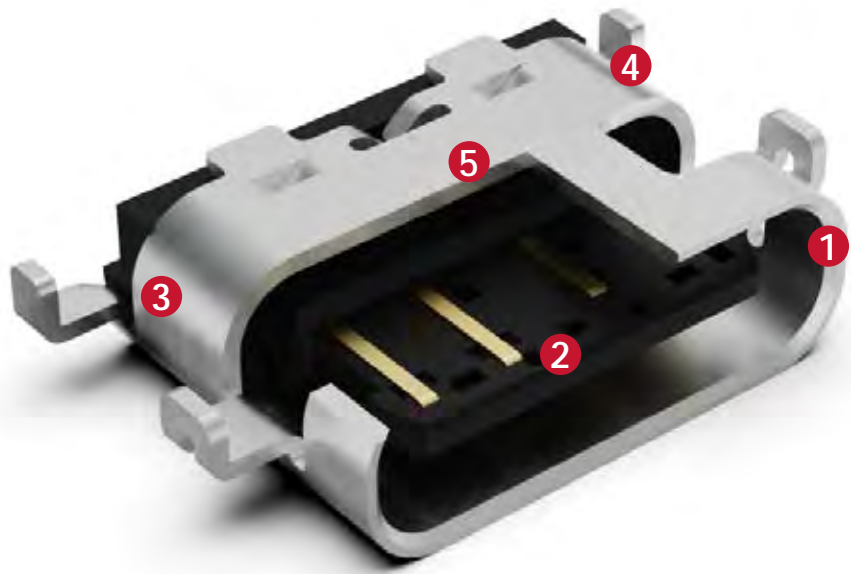
- Ⓞ Cost-effective 6-pin design
- Ⓞ True power only USB-C configuration
- Ⓞ Lowest profile 6 pin on the market only 1.56mm above the pcb
- Ⓞ Compatible with all Type C cables



## Vital Stats

Interface	Current Rating
<b>USB C</b>	<b>3 Amps</b>
No. of Contacts	Mating Cycles
<b>6</b>	<b>10,000</b>
USB Specification	Profile Above PCB
<b>Power Only</b>	<b>1.56mm</b>

- 1 Horizontally midmounted socket
- 2 USB C interface with 6 contacts
- 3 Low profile above PCB
- 4 4 through-hole shell stakes
- 5 Compact PCB Footprint



## Applications

- Electronic Signage
- Dental Equipment
- Satellite Navigation
- Breathalyzers
- Audio Equipment



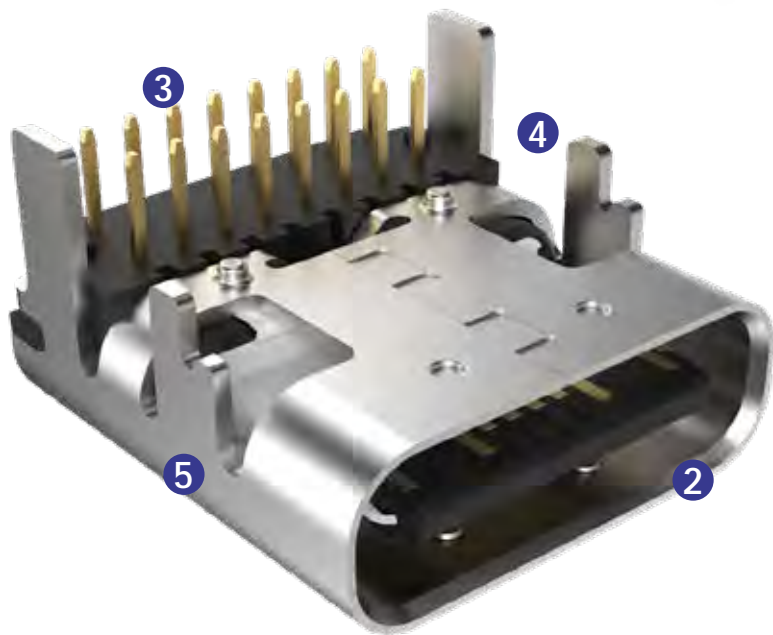




# 16 Pin USB Type-C

## USB4085

- Cost-effective 16-pin design
- Proven best-seller
- Perfect for charging focussed designs
- Fully through-hole design unique to the USB C market



## Vital Stats

Interface	Current Rating
USB C	3 Amps
No. of Contacts	Mating Cycles
16	10,000
USB Specification	Profile Above PCB
2.0	3.46mm

- Horizontally mounted socket
- USB C interface
- 16 contact USB 2.0 specification
- 4 through-hole shell stakes
- Stainless steel shell

## Applications

Alarm Systems  
 Portable Electronics  
 Security Cameras  
 Consumer Electronics  
 Pro Gaming Controllers



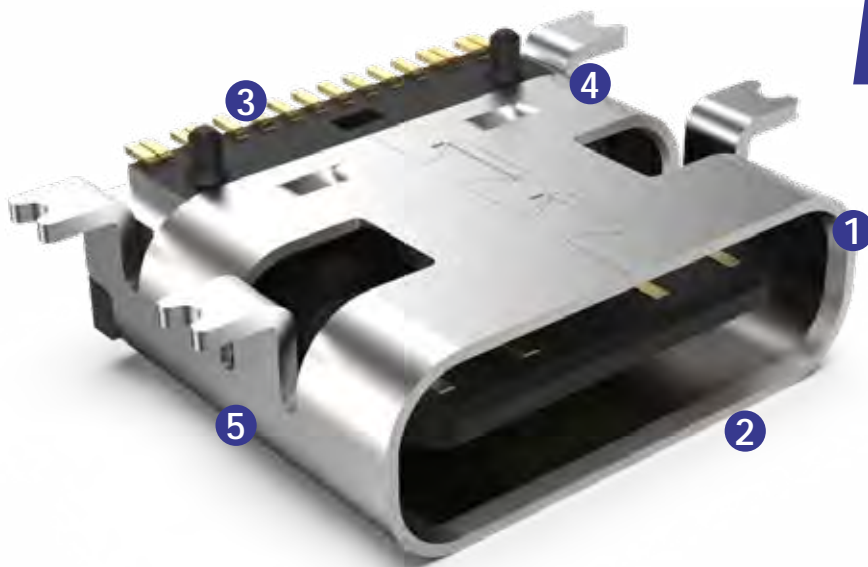
# GCT

[gct.co/connector/usb4085](http://gct.co/connector/usb4085)

# 16 Pin USB Type-C

## USB4110

- ☛ Cost-effective 16-pin design
- ☛ Future-proof USB-C interface
- ☛ 5 Amp charging capability
- ☛ SMT mount type



## Vital Stats

Interface

USB C

No. of Contacts

16

USB Specification

2.0

Current Rating

5 Amps

Mating Cycles

10,000

Profile Above PCB

3.26mm

- 1 Horizontally mounted socket
- 2 USB C interface
- 3 16 contact USB 2.0 specification
- 4 4 surface-mount shell tabs
- 5 Stainless steel shell

## Applications

Docking Stations  
 Portable Electronics  
 Smart Metering  
 Electronics Charging  
 Audio Equipment



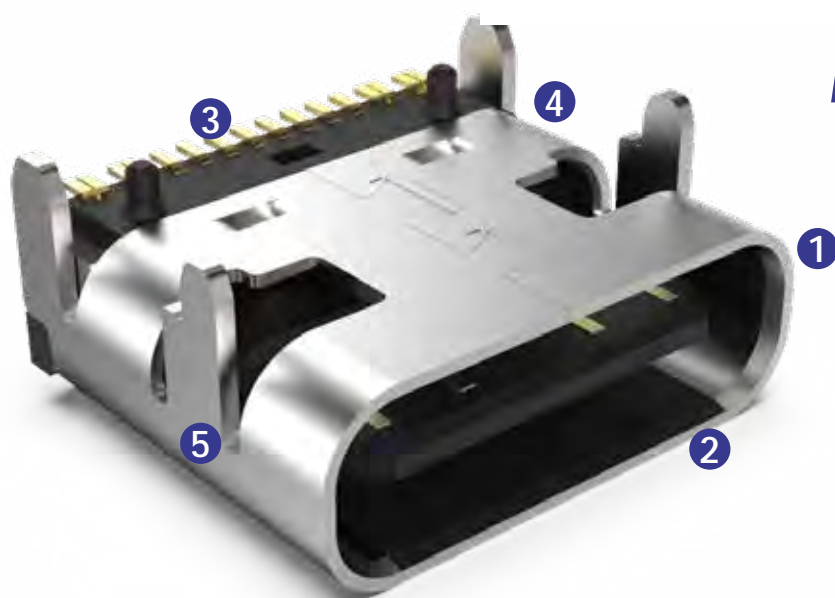
# GCT

[gct.co/connector/usb4110](https://gct.co/connector/usb4110)

# 16 Pin USB Type-C

## USB4105

- Cost-effective 16-pin design
- 5 Amp charging capability
- Hybrid mount type  
Through-Hole shell stakes, SMT contacts



## Vital Stats

Interface	Current Rating
USB C	5 Amps
No. of Contacts	Mating Cycles
16	10,000
USB Specification	Profile Above PCB
2.0	3.31mm

- Horizontally mounted socket
- USB C interface
- 16 contact USB 2.0 specification
- 4 through-hole shell stakes
- Stainless steel shell

## Applications

In-Vehicle Entertainment  
Portable Electronics  
Satellite Navigation  
Home Security  
Audio Equipment

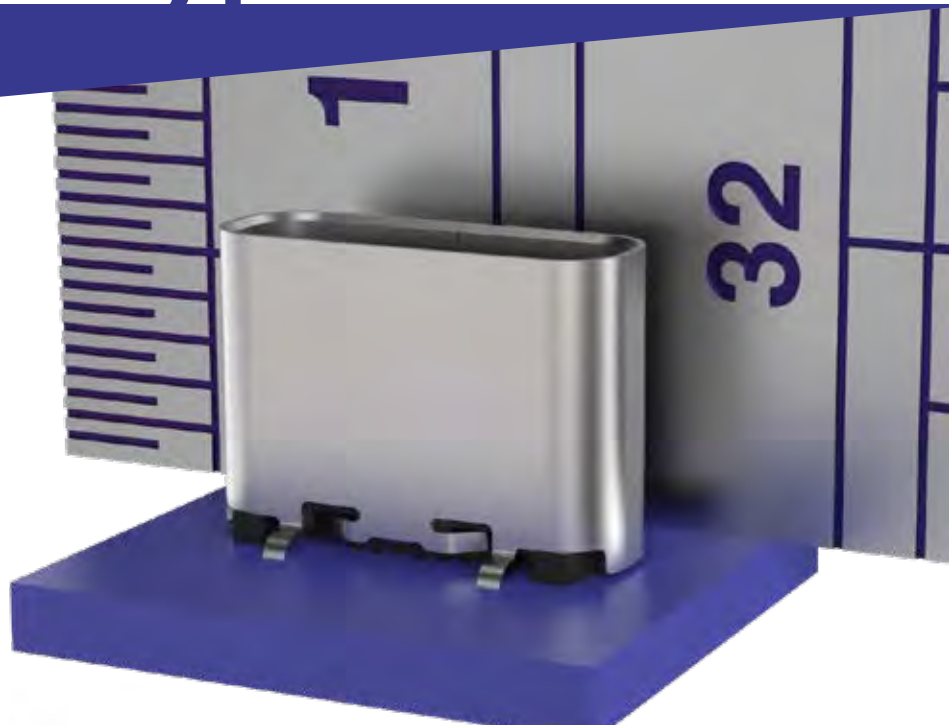


[gct.co/connector/usb4105](http://gct.co/connector/usb4105)

# 16 Pin USB Type-C

## USB4120

- Cost-effective 16-pin design
- Tiny 6.5mm profile height
- 5 Amp charging capability



## Vital Stats

Interface	Current Rating
USB C	5 Amps
No. of Contacts	Mating Cycles
16	10,000
USB Specification	Profile Above PCB
2.0	6.50mm

- Vertically mounted socket
- USB C interface
- 16 contact USB 2.0 specification
- 4 through-hole shell stakes
- Stainless steel shell

## Applications

Docking Stations  
Home Security  
Pro Gaming Controllers  
Consumer Electronics  
Audio Equipment



# GCT

[gct.co/connector/usb4120](http://gct.co/connector/usb4120)

# 16 Pin USB Type-C

## Mid-Mount Range

- Ⓞ Four versatile profile options
- Ⓞ Cost-effective 16-pin design
- Ⓞ Fast 5A charging capability
- Ⓞ Optional shell springs for improved grounding
- Ⓞ Stainless steel shell with four thru-hole stakes



## Vital Stats

Interface

USB C

USB Specification

2.0

Current Rating

5 Amps

Mating Cycles

10,000

Mount Type

SMT

## Profile selector

USB4500

↓ Offset 0.8mm



USB4505

↓ Offset 1.0mm



USB4510

↓ Offset 1.6mm



USB4520

↓ Offset 2.1mm



## Applications

EPoS Terminals

Portable Electronics

VR Equipment

Home Automation

Gaming Peripherals



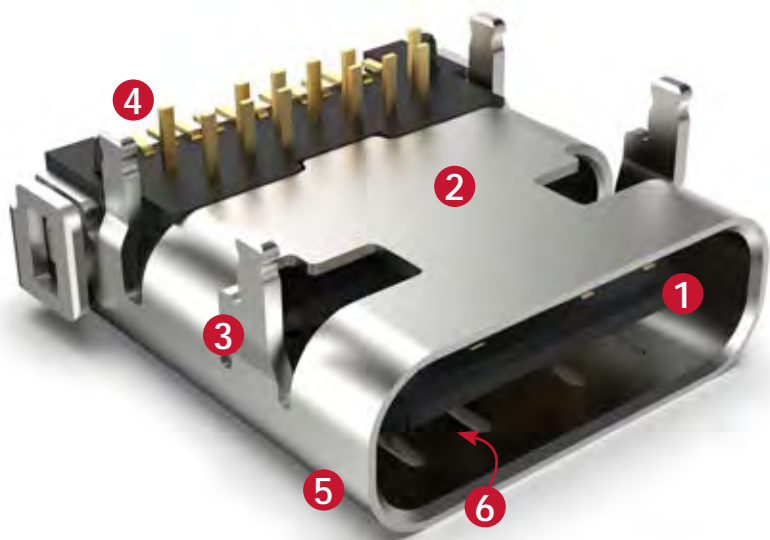
[gct.co/connector/ionex/mid-mount](http://gct.co/connector/ionex/mid-mount)



# Value Engineered Type C

## USB4056

- Value engineered USB Type-C socket
- USB Version 3.2 Gen 2 for Full 5 Amp charging and 10 Gbit/s data transfer
- Shell stakes, retention tabs and hybrid solder tails for strength and durability



Vital Stats	
Mating Cycles	Shell Material
10,000	Stainless Steel
Current Rating	USB Specification
5 Amp	3.2 Gen 2
Profile Height	No. of Contacts
3.31mm	24

- |                          |                                       |
|--------------------------|---------------------------------------|
| 1 USB C interface        | 4 24 hybrid-mount PCB contacts        |
| 2 High grade steel shell | 5 3.31 mm profile                     |
| 3 4 shell stakes         | 6 Shell tabs for added plug retention |

## Applications

3D Printers  
 Audio Equipment  
 Gaming Headsets  
 Security Sensors  
 In-Car Entertainment

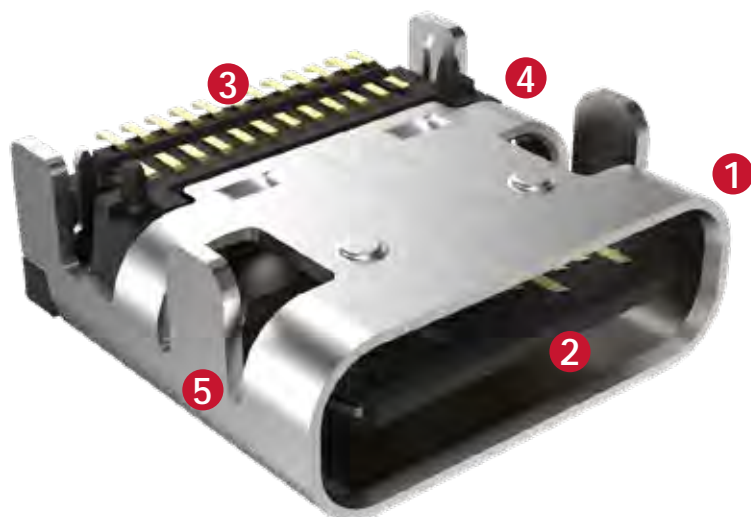


[gct.co/connector/usb4056](http://gct.co/connector/usb4056)

# 24 Pin USB 3.2 Type-C

## USB4080

- Ⓞ Cost effective 24 pin SMT USB Type C Horizontal Receptacle.
- Ⓞ Full 3.2 Gen 2 Type-C connection.
- Ⓞ Designed for Paste in Hole Reflow (PIHR) to maximise production efficiency.



## Vital Stats

Interface	Current Rating
<b>USB C</b>	<b>5 Amps</b>
No. of Contacts	Mating Cycles
<b>24</b>	<b>10,000</b>
USB Specification	Profile Above PCB
<b>3.2 Gen 2</b>	<b>3.16mm</b>

- 1 Horizontally mounted socket
- 2 USB C interface
- 3 24 SMT contacts support USB 3.2 spec
- 4 4 through-hole shell stakes
- 5 Stainless steel shell

## Applications

Alarm Systems  
 Portable Electronics  
 Security Cameras  
 Consumer Electronics  
 Gaming Peripherals



# GCT

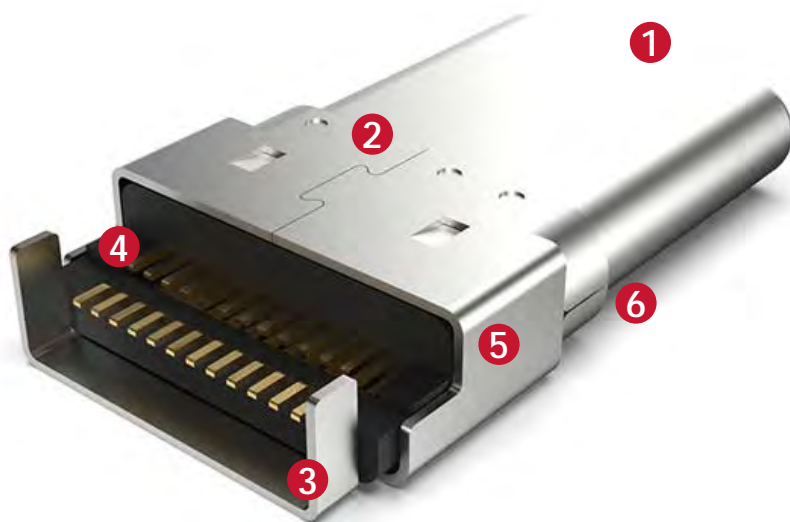
[gct.co/connector/usb4080](https://gct.co/connector/usb4080)



# Edge Mount USB-C Plug

## USB4155

- Ⓞ **Innovative low profile edge-mount for increased design flexibility over straddle-mount**
- Ⓞ **Metal shell step engages with case designs for extra strength**
- Ⓞ **Full speed data and power transfer with USB 3.2 gen 2**



Vital Stats	
Mating Cycles	Shell Material
<b>10,000</b>	<b>Stainless Steel</b>
Current Rating	USB Specification
<b>5 Amp</b>	<b>3.2 Gen 2</b>
Profile Height	No. of Contacts
<b>2.90mm</b>	<b>24</b>

- |                          |  |
|--------------------------|--|
| 1 USB C interface        | 4 24 same-side PCB contacts            |
| 2 High grade steel shell | 5 Tiny 2.90mm profile                  |
| 3 2 shell stakes         | 6 Metal shell step for added retention |

## Applications

USB Flash Drives  
Wifi Dongles  
Cable Assemblies  
Docking Stations  
Consumer Electronics

# GCT



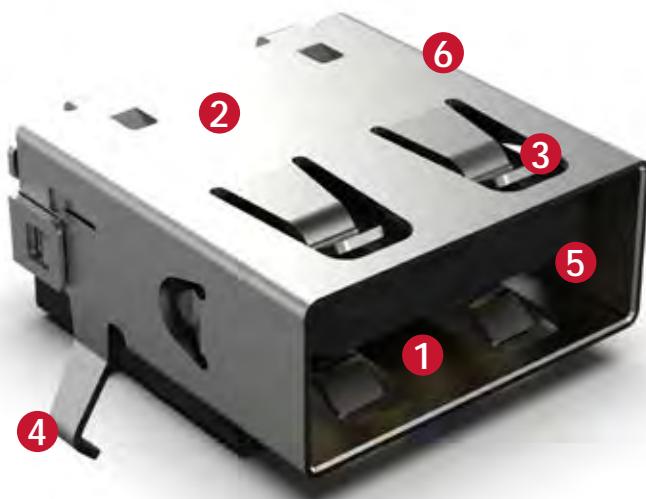
[gct.co/connector/usb4155](http://gct.co/connector/usb4155)



# High Durability USB A 2.0

## USB1130

- Ⓞ *Tested to over 10,000 mating cycle  
6x the standard of USB A 2.0*
- Ⓞ *High-grade stainless steel shell*
- Ⓞ *Right-angle mount perfect for  
high-traffic applications*
- Ⓞ *3A current rating - double the  
standard of USB A 2.0*



- |                           |                           |
|---------------------------|---------------------------|
| 1 USB A interface         | 4 2 sprung shell stakes   |
| 2 High grade SUS304 shell | 5 USB 3.0 with 9 contacts |
| 3 6 retention tabs        | 6 14.16mm shell depth     |

## Vital Stats

Mating Cycles

10,000

Current Rating

3 Amp

Profile Height

6.99mm

Shell Material

Stainless Steel

USB Specification

2.0

No. of Contacts

4

## Applications

Public Transport  
In-vehicle Entertainment  
Computer Laptops  
Charging Stations  
Consumer Electronics

# GCT

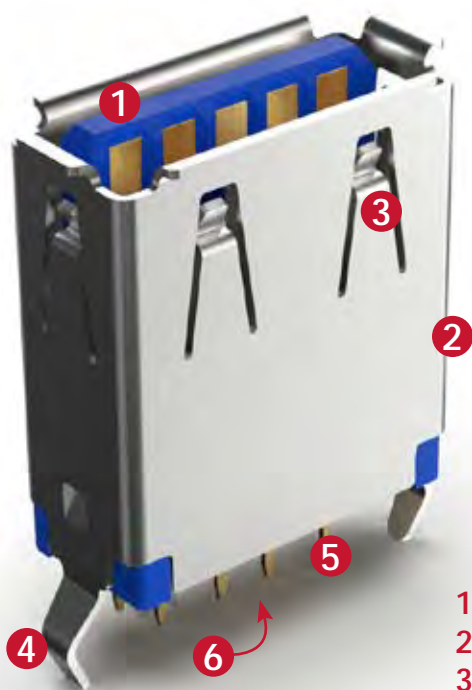


[gct.co/connector/usb1130](http://gct.co/connector/usb1130)

# High Durability USB A 3.0

## USB1086

- Ⓞ Tested to over 20,000 mating cycles - 4x the standard of USB A 3.0
- Ⓞ High-grade stainless steel shell
- Ⓞ Vertical mount perfect for high-traffic docking applications
- Ⓞ 3A current rating - double the standard of USB A 3.0



- 1 USB A interface
- 2 High grade SUS201 shell
- 3 7 retention tabs
- 4 2 sprung shell stakes
- 5 USB 3.0 with 9 contacts
- 6 Compact PCB footprint

## Vital Stats

Mating Cycles	Shell Material
20,000	Stainless Steel
Current Rating	USB Specification
3 Amp	3.0
Profile Height	No. of Contacts
14.90mm	9

## Applications

Public Transport  
In-vehicle Entertainment  
Computer Laptops  
Charging Stations  
Consumer Electronics

# GCT

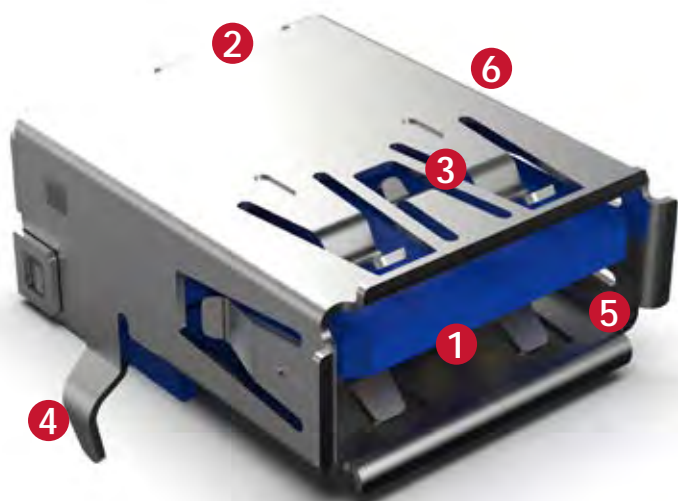


[gct.co/connector/usb1086](http://gct.co/connector/usb1086)

# High Durability USB A 3.0

## USB1135

- Ⓞ Tested to over 20,000 mating cycles - 4x the standard of USB A 3.0
- Ⓞ High-grade stainless steel shell
- Ⓞ right-angle mount perfect for high-traffic applications
- Ⓞ 3A current rating - double the standard of USB A 3.0



- |                           |                           |
|---------------------------|---------------------------|
| 1 USB A interface         | 4 2 sprung shell stakes   |
| 2 High grade SUS304 shell | 5 USB 3.0 with 9 contacts |
| 3 7 retention tabs        | 6 16.5mm shell depth      |

## Vital Stats

Mating Cycles

20,000

Shell Material

Stainless Steel

Current Rating

3 Amp

USB Specification

3.0

Profile Height

6.95mm

No. of Contacts

9

## Applications

Public Transport  
In-vehicle Entertainment  
Computer Laptops  
Charging Stations  
Consumer Electronics

**GCT**

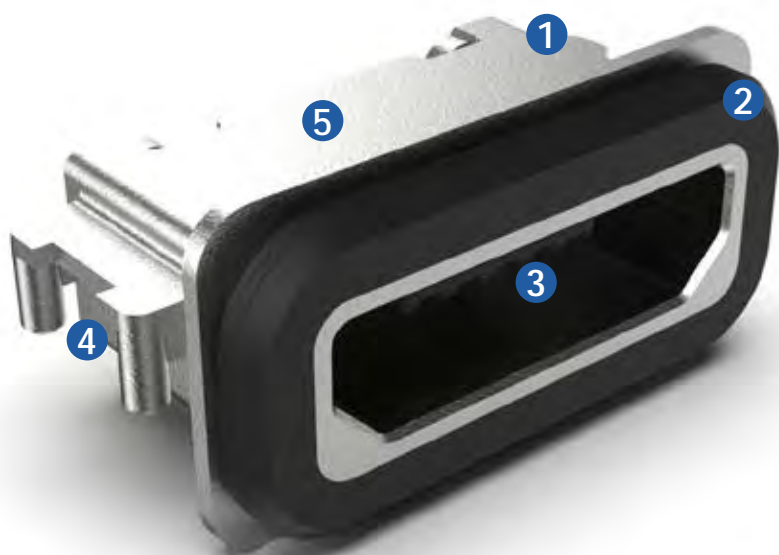
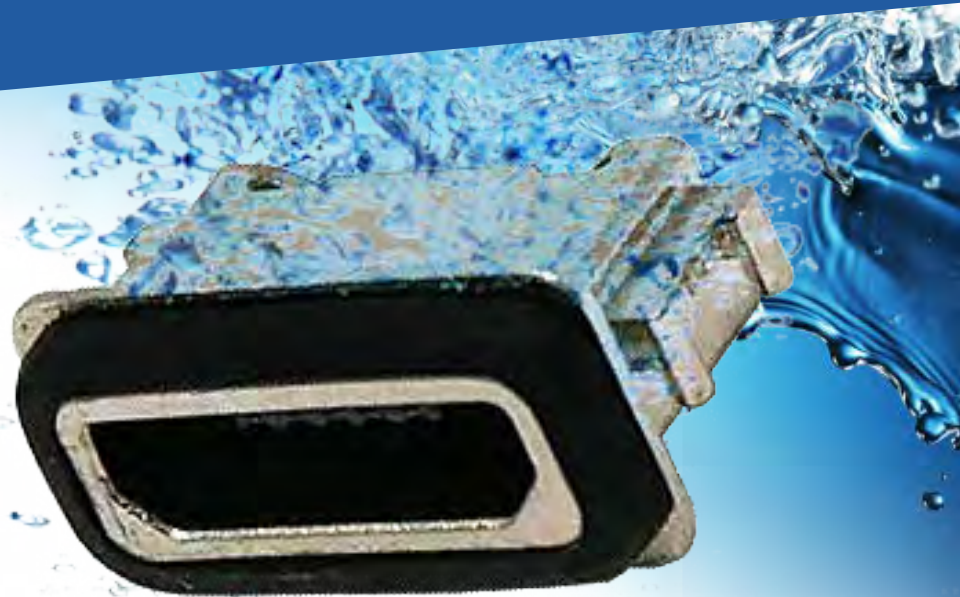


[gct.co/connector/usb1135](http://gct.co/connector/usb1135)

# IP67 Micro USB

## USB3500

- Water-and-dust-proof
- Full IP67 Rating
- Metal Injection Moulded single-piece stainless steel shell



## Vital Stats

Interface

USB Micro B

IP Rating

IP67

No. of Contacts

5

Mating Cycles

10,000

USB Specification

2.0

Profile Above PCB

4.90mm

- Horizontally mid-mounted socket
- Silicone gasket to seal against panel
- USB Micro B interface with 5 contacts
- 4 through-hole shell stakes
- Metal Injection Moulded shell

## Applications

Pool & Spa Controls  
Hydroponics  
Home Security  
Consumer Electronics  
Medical Equipment



# GCT

[gct.co/connector/usb3500](http://gct.co/connector/usb3500)

# IP67 Micro USB

## USB3505

- Water-and-dust-proof
- Full IP67 Rating
- Metal Injection Moulded single-piece stainless steel shell



## Vital Stats

Interface	IP Rating
USB Micro B	IP67
No. of Contacts	Mating Cycles
5	10,000
USB Specification	Profile Above PCB
2.0	4.90mm

- Horizontal top-mounted socket
- Silicone gasket to seal against panel
- USB Micro B interface with 5 contacts
- 4 through-hole shell stakes
- Metal Injection Moulded shell

## Applications

Pool & Spa Controls  
Hydroponics  
Home Security  
Consumer Electronics  
Medical Equipment



# GCT

[gct.co/connector/usb3505](http://gct.co/connector/usb3505)

# Push-Push Micro SIM

## SIM7155

- ⊗ Cost effective alternative to standard competitor Micro SIM connectors in the market
- ⊗ SUS304 stainless steel shell for increased durability
- ⊗ Compact footprint for space-restricted designs



- 1 Micro SIM interface
- 2 Push-Push card eject mechanism
- 3 Card detect switch
- 4 Compact 259mm<sup>2</sup> PCB footprint
- 5 6 gold-plated sprung contacts
- 6 Polarised card stop

## Vital Stats

SIM Card Type	Card Eject Mechanism
Micro	Push-Push
Operating Temp.	Mating Cycles
-40 to +85°C	3,000
Card Detect Switch	Shell
Yes	Stainless Steel

## Applications

Smart Metering  
Fleet Tracking  
Fire & Security Alarms  
Cloud Solutions  
Medicine Administration

# GCT



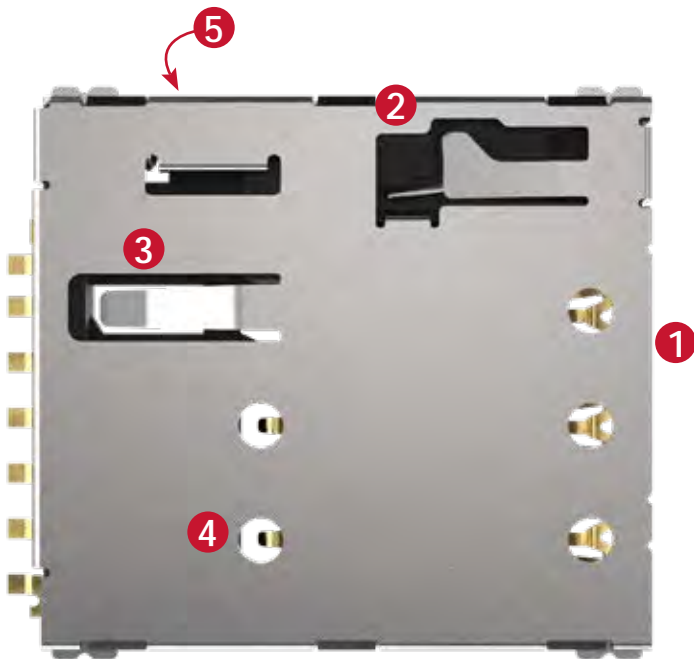
[gct.co/connector/sim7155](http://gct.co/connector/sim7155)



# Low Profile Nano SIM Connector

## SIM8066

- One of the *slimmest connectors in class*
- Card detection switch and retention mechanism*
- Perfect for super slim devices*



## Vital Stats

SIM Card Type	Card Eject Mechanism
Nano	Push-Push
Operating Temp.	Mating Cycles
-40 to +85°C	5,000
Card Detect Switch	Shell
Yes	Stainless Steel

- 1 Nano SIM card interface
- 2 Push-Push card mechanism
- 3 Card Detect switch
- 4 6 gold plated contacts
- 5 Dual plastic locating pegs
- 6 Profile of 1.44mm above PCB

## Applications

Mobile Phones  
Tracking Equipment  
Cellular Dongles  
Satellite Navigation  
Consumer Electronics

# GCT



[gct.co/connector/sim8066](http://gct.co/connector/sim8066)

# SIM CONNECTOR MATRIX



FEATURES / SERIES

- SIM8051
- SIM8055
- SIM8060
- SIM8066
- SIM7050
- SIM7155
- SIM7200
- SIM2070
- SIM4065
- SIM5051
- SIM5055
- SIM6050

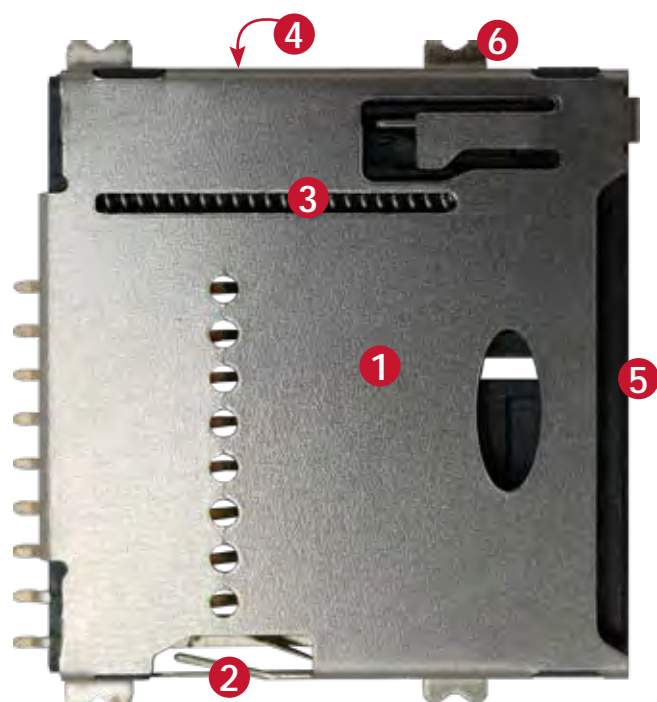
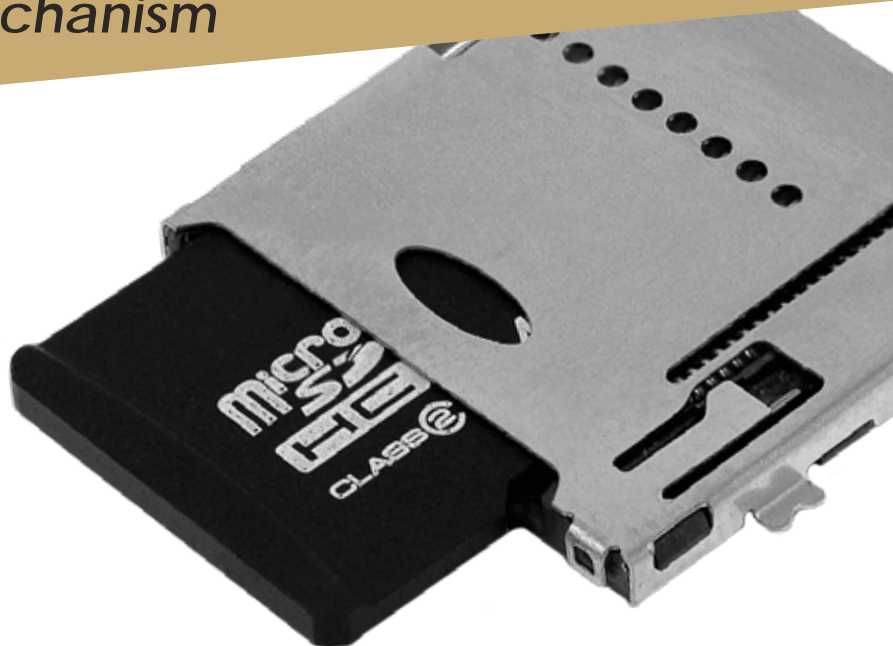


	SIM8051	SIM8055	SIM8060	SIM8066	SIM7050	SIM7155	SIM7200	SIM2070	SIM4065	SIM5051	SIM5055	SIM6050
SIM Card Size	Nano/4ff	Nano/4ff	Nano/4ff	Nano/4ff	Micro/3ff	Micro/3ff	Micro/3ff	Mini/2ff	Mini/2ff	Mini/2ff	Mini/2ff	Mini/2ff
Card Insertion type	Push-Pull	Push-Pull	Hinged	Push-Push	Push-Pull	Push-Push	Hinged	Push-Pull	Push-Push	Hinged	Hinged	Push-Pull
Profile	1.35mm	1.35mm	1.43mm	1.44mm	2.45mm	1.43mm	1.75mm	3.44mm	1.60mm	1.85mm	2.50mm	3.00mm
Card Detection Switch	No	Yes/Open	Yes/Open	Yes/Closed	No	Yes/Closed	No	Yes/Open	Yes/Closed	No	Yes/Open	No
With Locating Peg	Yes	Yes	No	Yes	No	No	No	No	No	No	No	No
Dual SIM	No	No	No	No	No	No	No	No	No	No	No	Yes
Number of Contacts	6	6	6	6	6-8	6	6	6	8	6	6	2x8
Durability	1500 Cycles	5000 Cycles	5000 Cycles	5000 Cycles	5000 Cycles	3000 Cycles	5000 Cycles	5000 Cycles	5000 Cycles	5000 Cycles	5000 Cycles	5000 Cycles
Reel Quantity	1500	1500	1500	1500	900	1500	1300	700	1000	700	900	700

# Super Slim MicroSD Connector

MEM2075 Push-Push Mechanism

- Ⓞ Almost as thin as the card itself
- Ⓞ Card detection switch
- Ⓞ Perfect for low-profile applications



## Vital Stats

Low Profile

**1.40mm**

Operating Temp.

**-25 to +80°C**

Co-Planarity

**>0.08mm**

Card Insertion

**Push-Push**

Mating Cycles

**5,000**

Shell & Latch

**Stainless Steel**

- 1 Stainless Steel Shell
- 2 Card Detect Switch
- 3 Card Retention Spring
- 4 2 Locating Pegs
- 5 MicroSD card interface
- 6 'V' Notched SMT Holddowns

## Applications

Personal Computers  
Mobile Phones  
Cameras  
Imaging Equipment  
Consumer Electronics

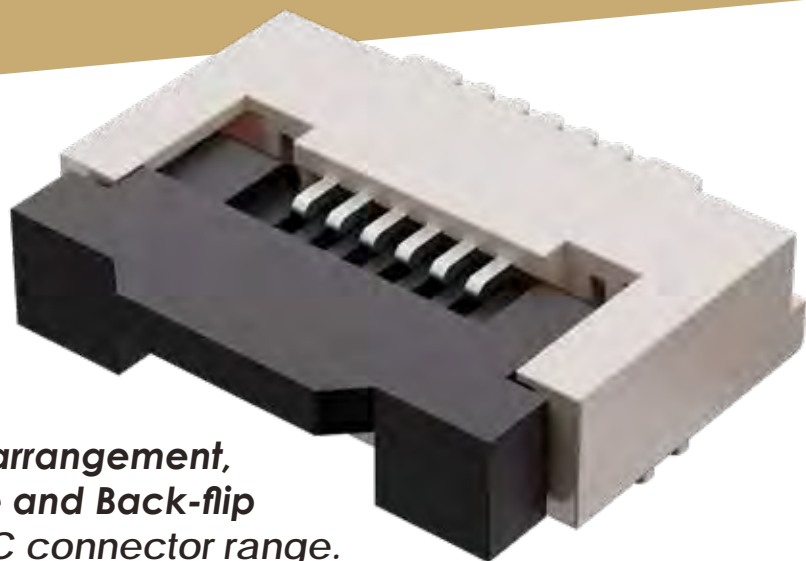
**GCT**



[gct.co/connector/mem2075](http://gct.co/connector/mem2075)

# FFC Connectors

## FFC2B35



- Ⓞ **Extremely competitive 0.5mm FFC connector solution with low MOQ's available for common pin counts.**
- Ⓞ **Features new Front-flip actuator arrangement, which compliments existing Slide and Back-flip options within the GCT 0.5mm FFC connector range.**
- Ⓞ **Horizontal SMT product is available in a bottom contact configuration with Gold Flash or Tin plating across primarily 4 thru 60 pins.**
- Ⓞ **Compliment with custom FFC cables – utilise GCT's p/n builder to define a custom solution – see <https://gct.co/pnb/basket/ffc>**

## Vital Stats

Pitch

0.50mm

Actuator Type

Front Flip Lock

No. of Contacts

4-60

Profile

2.00mm

Contact Type

Bottom Contact

## Applications

Imaging Equipment  
Instrumentation  
Medical  
Consumer Electronics  
Displays

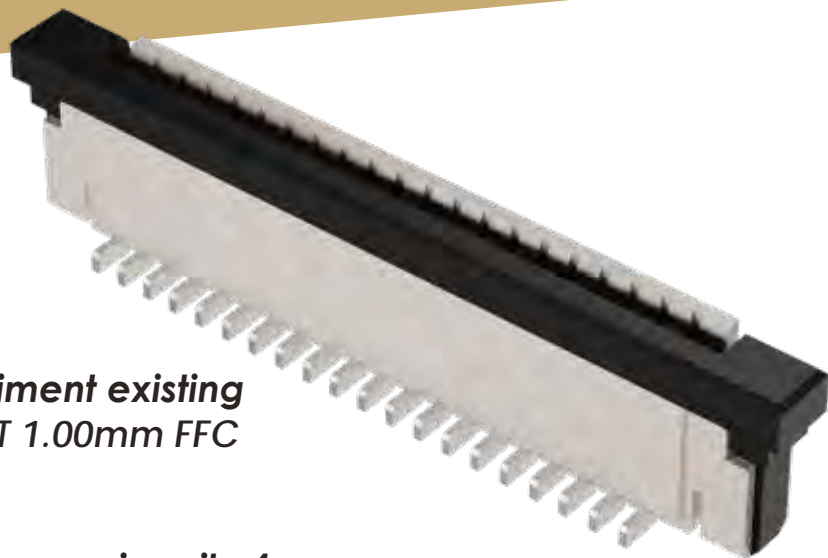


# GCT

[gct.co/connector/ffc2b35](https://gct.co/connector/ffc2b35)

# FFC Connectors

## FFC3A20



- Ⓞ **Extremely competitive 1.00mm FFC connector solution**
- Ⓞ **Vertical mount variant to compliment existing horizontal options within the GCT 1.00mm FFC connector range**
- Ⓞ **Gold Flash (std) or Tin plating across primarily 4 thru 30 contact**
- Ⓞ **Compliment with custom FFC cables – utilise GCT's p/n builder to define a custom solution – see <https://gct.co/pnb/basket/ffc>**

## Vital Stats

Pitch

1.00mm

Actuator Type

Slide Lock

No. of Contacts

4-30

Profile

5.50mm

Contact Type

Gold (std) or tin

## Applications

Imaging Equipment  
Instrumentation  
Medical  
Consumer Electronics  
Displays



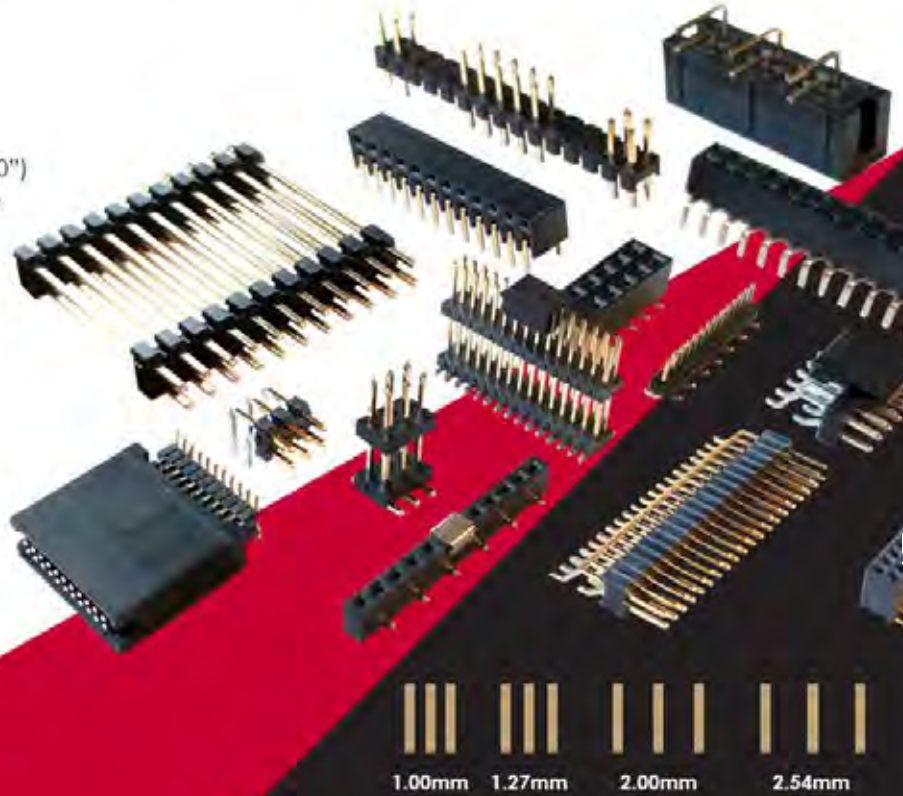
# GCT

[gct.co/connector/ffc3a20](https://gct.co/connector/ffc3a20)

# Also available from GCT

## Board to Board Connectors

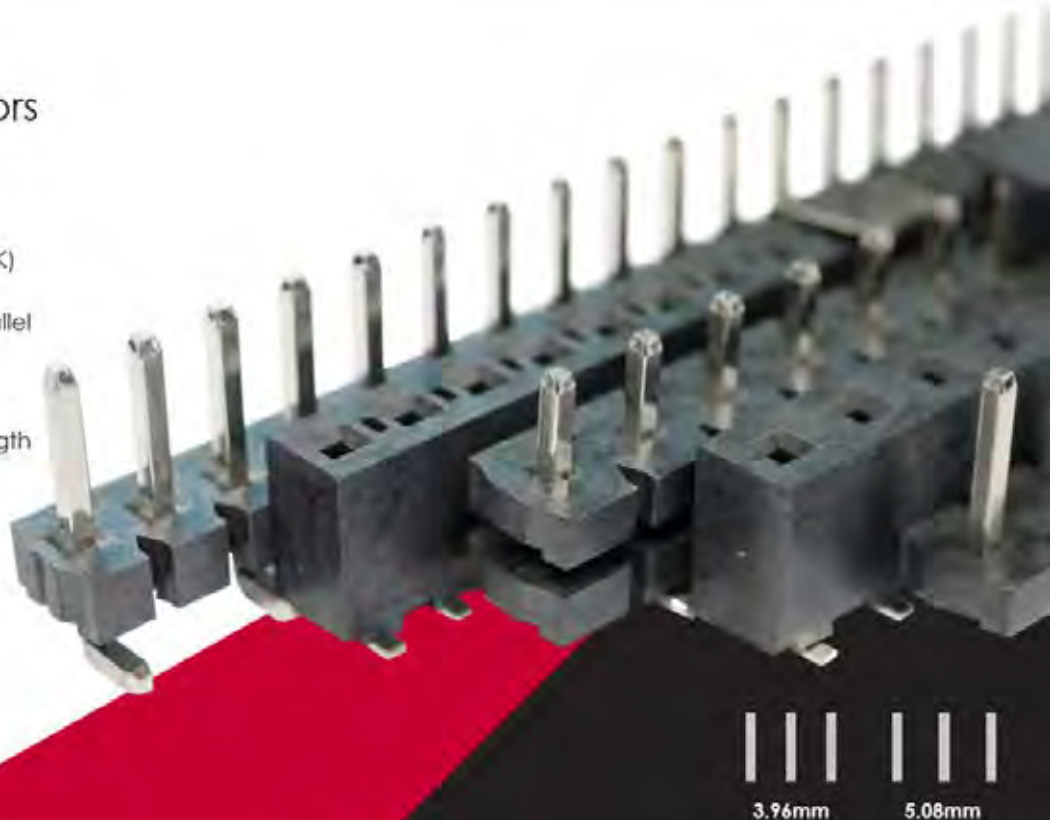
- 163 Series in the range, both **headers & sockets**.
- **5 Pitch options** from 0.80mm to 2.54mm (.031" to .100")
- **Horizontal, Stacked & Right-Angle** orientations allow for Planar, Parallel or Perpendicular PCB mating
- **Customisable Dimensions** such as pin length and insulator height.
- **Elevated, Shrouded, and Polarised** types available
- **Insulator materials** including Nylon 6T, PBT and LCP
- **Plating materials** such as gold flash, tin & selective
- **Bespoke options** including voided positions and blanked sockets, kinked, bent or bladed pins



## High Current

### Board to Board Connectors

- **5 Parts** across the range, both headers & sockets
- **Perfect for Power** 7.9 Amps per pin.
- **2 Pitch options** 3.96mm (BH) & 5.08mm (BK) (.156" & .200")
- **Horizontal & Elevated headers** allow parallel PCB mating
  - 3.96 Pitch from 14.17mm to 25.00mm
  - 5.08 Pitch from 14.44mm to 29.35mm
- **Customisable Dimensions** such as pin length and footprint width



# Contacts & Connections

## Global GCT Locations

-  **Boston MA, USA**  
+1 978 208 1618  
sales@gct-americas.com
-  **Atlanta GA, USA**  
+1 678 524 5817  
sales@gct-americas.com
-  **Welwyn, UK (HQ)**  
+44 01707 321122  
sales@gct-europe.com
-  **Hong Kong, PRC**  
+852 2578 9030  
sales@gct-apac.com
-  **San Jose CA, USA**  
+1 650 448 9660  
sales@gct-americas.com
-  **Berlin, DE**  
+49 162 301 4214  
sales@gct-europe.com
-  **New Delhi, IN**  
+91 987 300 8975  
sales@gct-apac.com
-  **Singapore**  
+65 8322 2263  
sales@gct-apac.com



[www.gct.co](http://www.gct.co)

USB | SIM | Board to Board | FFC/FPC | Mod Jack | MicroSD | DC | Cable Assemblies

[www.gct.co](http://www.gct.co)



USB | SIM | Board to Board | FFC/FPC | Mod Jack | MicroSD | DC | Cable Assemblies