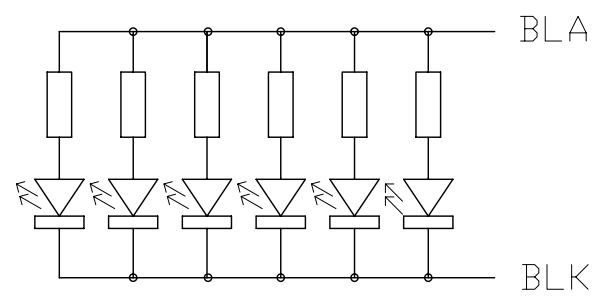
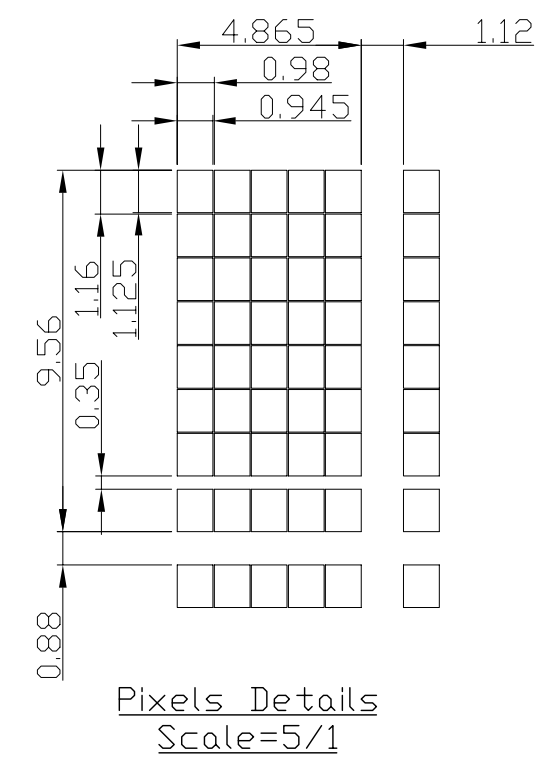
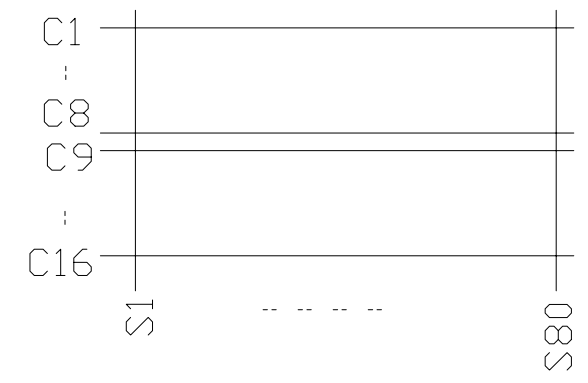


No.	Pin Name
1	VSS
2	VDD
3	V0
4	RS
5	R/W
6	E
7	DB0
8	DB1
9	DB2
10	DB3
11	DB4
12	DB5
13	DB6
14	DB7
15	BLK
16	BLA



Backlight Circuit
(No. of LEDs = 2x3pcs)=6pcs
Scale=free



Panel Wiring Details
Scale=free

- Note:
- *1. LCD Display Type : STN, Negative, Transmissive
 - *2. Viewing Direction : 6H
 - *3. Duty : 1/16 , Bias : 1/5
 - *4. Operating Voltage : 5.0V
 - *5. Backlight Color : White
 - *6. Backlight Supply : 102mA (5.0V TYP.) \triangle
 - *7. Operating Temperature : -20°C~70°C
 - *8. Storage Temperature : -30°C~80°C
 - *9. An external VR(5k) must be connected for Contrast Control.
 - *10. Environmental Safe Standard : RoHS

C		
B		
A	-Add Note -Typing Correction	Lin Yan 2007-01-17
Rev	Note	Date
Dwg	Title	
	LMB162GFC Outline Dwg	
Dwg No.	MK-001496a-1-1	Date 2006-11-16
Scale	Tol.	Unit
3/2	±0.2	mm
Approved	Checked	Paper Size A3
		Drawn Lin Yan

TOPWAY